



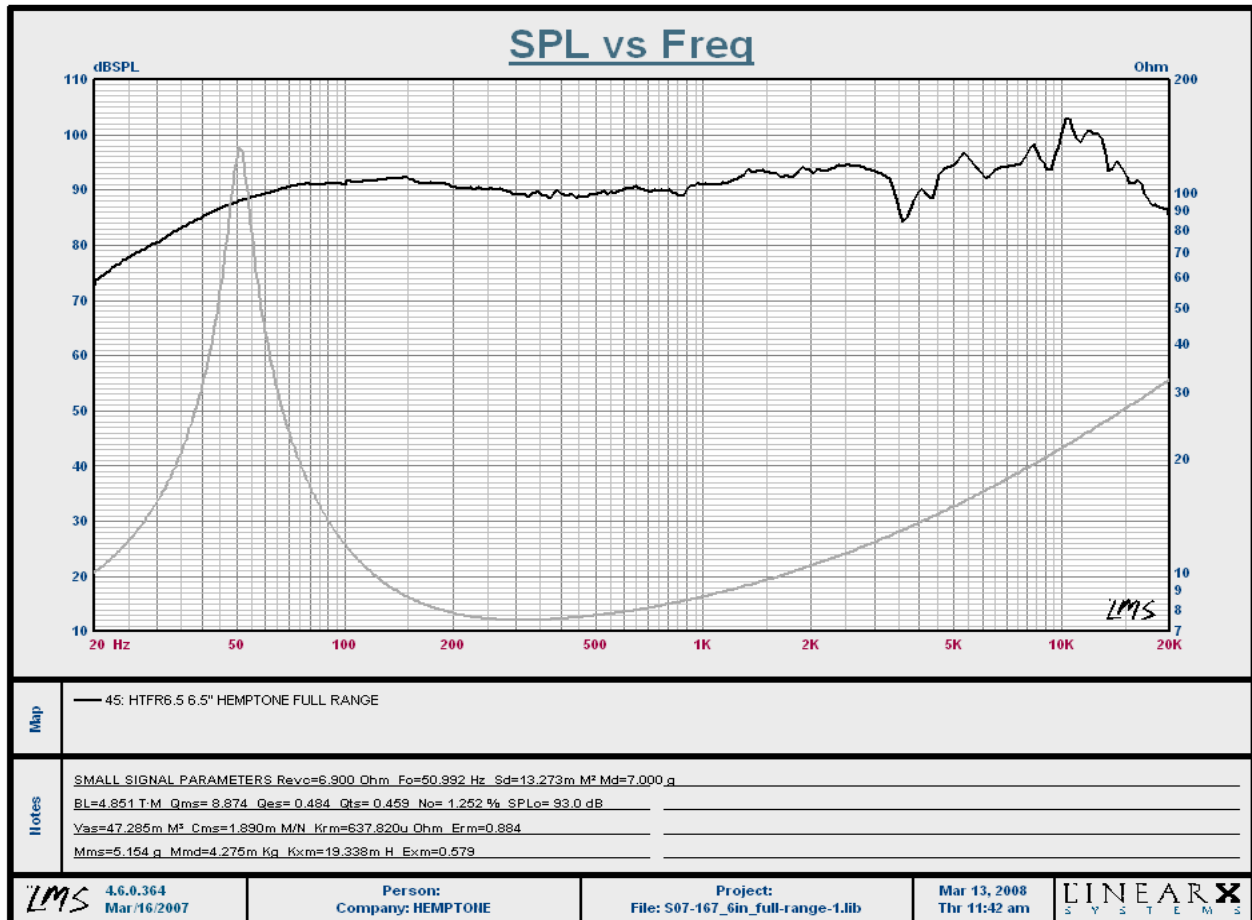
Hemptone HTFR 6.5

6.5" Hemp Cone, Full Range, 8 Ohm

- A-Brown Hemp Cone® Body M-Roll Cloth Edge
- RoHS Compliant
- Round Cast Aluminum Basket
- 1", 8 ohm Kapton Voice Coil
- 50 to 17kHz Rated Frequency Range (tested in IEC 60268-5 Type A enclosure)
- 91 dB SPL Sensitivity at 2.83V/1m (3.3 ft)
- 1.1 kg, (2.3 lb) Net Weight

Specifications and Small Signal Parameters

Voice Coil Impedance:	8	ohm
Rated Frequency Response:	50 - 17k	Hz
Sensitivity:	91	dB SPL (Average 500 - 2.5 kHz, 2.83V, 1 meter)
Rated Power:	25	watts
Program Power:	50	watts
Magnet Weight:	283	gr (10 oz)
Fo:	50	Hz
Re:	6.9	ohm
Qts:	0.46	
Qms:	8.9	
Qes:	0.48	
Vas:	47	liters
Xmax:	1.3	mm
No:	1.3	%



www.HemptonSpeakers.com

Phone: 415-479-2124

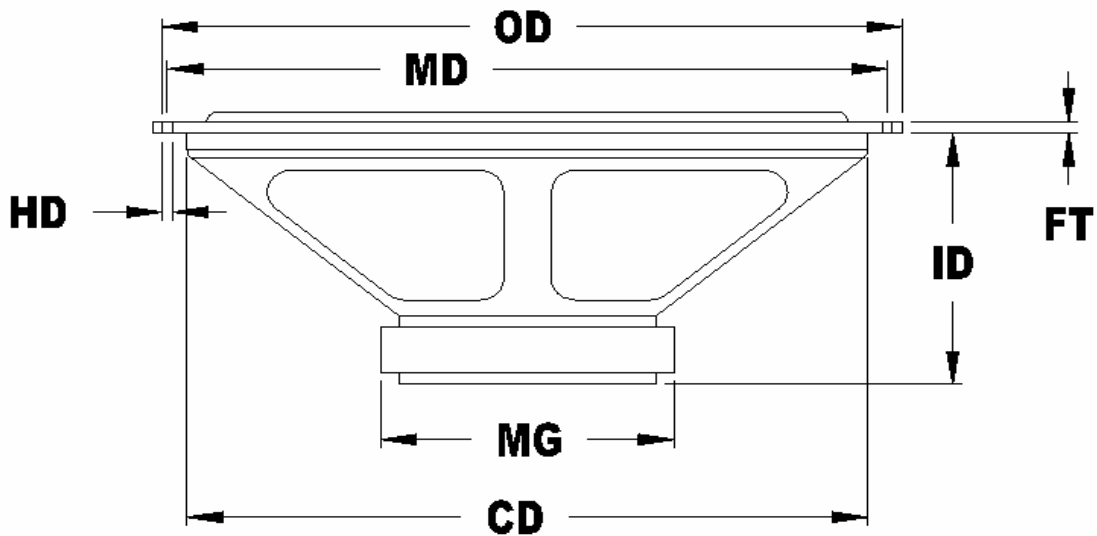
Specifications subject to change without notice

Designed & Made in U.S.A.



Speaker Dimensions

Hemptonε HTFR 6.5"



ID	Description	Measurements	Units	Tolerance	Comments
OD	Outside Diameter	6.81	Inches	+/-0.020"	
CD	Cutout Diameter	5.80	Inches	+/-0.020"	
MG	Magnet Diameter	3.40	Inches	+/-0.050"	
HD	Hole Diameter	.16	Inches	+/-0.010"	
MD	Mounting Diameter	6.38	Inches	+/-0.010"	
ID	Internal Depth	3.0	Inches	+/- 0.125"	
FT	Flange Thickness	.25	Inches	+/-0.050"	include gasket thickness

Specifications subject to change without notice