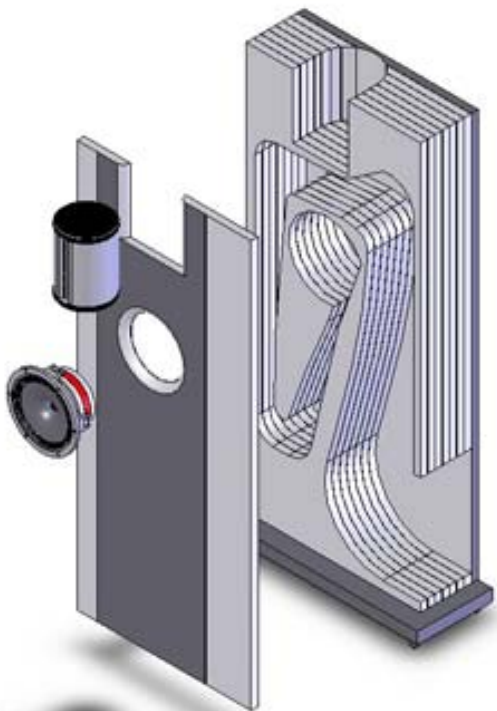


Traditional 2 way system with vented cabinet tuned to 35hz.



Horn loaded 2 way with extension below 40hz. Overall sensitivity of 97db/w tailored for small tube amps.